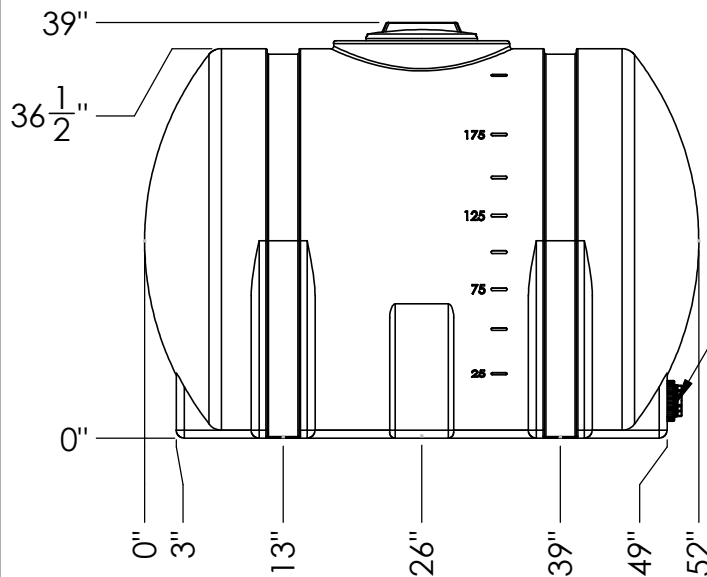


8" Closed  
Non-Vented Lid  
# 970325

8" Lid Ring with  
Gasket # 970326

Ø 36"

2" Bulkhead  
PP Fitting  
#970211



3 1/2"

200 Gal Legged Tank  
w/ 2" End Fitting  
& 8" Gasketed Ring & Lid



1390 Neubrecht Road  
Lima, Ohio 45801

STOCK NO.  
**23645, 23647**

REV  
**A**

DO NOT SCALE DRAWING

WEIGHT: 68 lbs.

DIMENSIONS ARE IN INCHES TOLERANCE: ± 1/4"		NAME	DATE
MATERIAL	LLDPE - FDA resin	DRAWN	NJV 4/17/24
CAPACITY	200 Gal	APPROVED	
GRADUATIONS	25 Gal	REVISIONS	
NOMINAL WALL THICKNESS	1/4"	COMMENTS: Natural, Black UV Stabilized	

**PROPRIETARY AND CONFIDENTIAL**

THE INFORMATION CONTAINED IN THIS DRAWING IS THE SOLE PROPERTY OF TAMCO. ANY REPRODUCTION IN PART OR AS A WHOLE WITHOUT THE WRITTEN PERMISSION OF TAMCO IS PROHIBITED.

MAX. OPERATING TEMP. 140°F  
INTERMITTENT SERVICE TO 160°F  
SEE CHEMICAL RESISTANCE  
CHART FOR COMPATIBILITY